

## What you will need:



Metal Tape



Pencil



Screwdriver (Phillips Head)  
or Phillips Bit



Electric Drill

## What's supplied with your Panel Blind:



Bracket:



Drill Bit

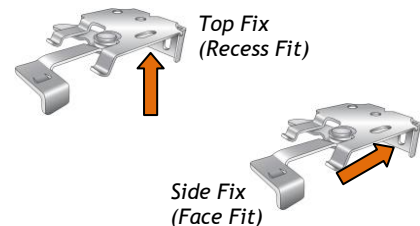


Fixings

### Things to note:

- The drill bit and fixings have been supplied based on what was called up at time of order.
- The brackets supplied allow you to either face fix the blind onto a wall, window frame or architrave, or top fix into the ceiling or within the window recess.
- The number of brackets supplied for each blind will vary depending on the width. Smaller blinds will require 2 brackets, larger blinds 3 or more.

### Bracket Fixing Options



We recommend fitting 2 fixing screws bracket.

## Installing inside the window frame (Recess Fit):

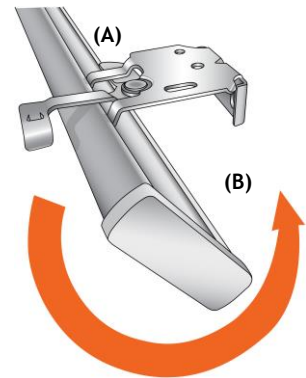
- When installing into the window frame ensure that the brackets are positioned so the blind will not hit any window handles or other protrusions when being operated. For Panel Blinds you will need to consider the rotation of the slats when opening and closing the blind.
- Brackets should be installed no further than 100mm from either end of the track, with the remaining brackets to be evenly distributed across the width of the blind.
- Using a pencil and the brackets provided position the bracket where you want it to go and mark the inside of the holes with a pencil. Remove the bracket and pre-drill the holes using the drill bit provided. Repeat for the other brackets.
- Fix the brackets securely with the fixings provided. Please use one screw per bracket.

**Still unsure? Call us on  
1300 006 669  
or email**

[sales@buyblindsonline.com.au](mailto:sales@buyblindsonline.com.au)

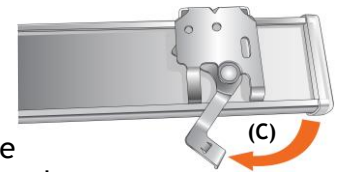
### Installing outside the window frame (Face Fit)

- Brackets should be installed no further than 100mm from either end of the track, with the remaining brackets to be evenly distributed across the width of the blind.
- Using a pencil and the brackets provided, position the bracket where you want it to go and mark the inside of the holes with a pencil. Remove the bracket and pre-drill the holes using the drill bit provided. Repeat for the other brackets.
- Fix the brackets securely with the fixings provided. Please use two screws per bracket.



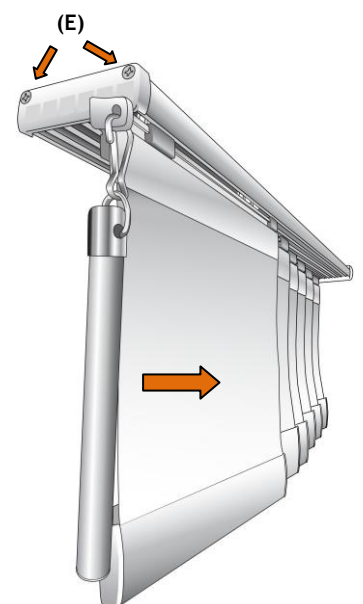
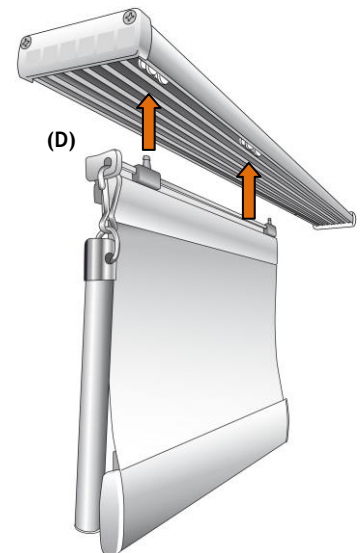
### Installing your Panel Blind Track into the brackets:

- Position the blind by first engaging the front top edge of the track, (A), into the back of the bracket. Take note that the front of the track is the side with the sticker affixed. Once contact has been made, rotate the track up so it sits flush with the bracket, (B), and then secure the track by pushing the front lever, (C). Repeat for the other brackets.



### Installing your Panel Blind Slats into the track:

- Always begin with the front panel, (the panel with the control wand clip). This will be labelled, "1". Click the panel into the two runners of the first track.
- Continue with the 2<sup>nd</sup> panel. Note that to correctly overlap the panels you will need to pull the 1<sup>st</sup> panel forward in order for the 2<sup>nd</sup> panel to slide behind it. Repeat for all panels.
- Attach the control wand to the 1<sup>st</sup> panel, (D).
- In the event you have attached panels to the incorrect runner, these can be removed by removing the screws on the end cap, (E), and sliding the entire panel out. Spare runners have also been supplied in the event that they get damaged through misuse, accidental or heavy use.



### Operating your Panel Blind:

- Using the control wand, drag the blind with consistent tension to operate. Do not use sharp, jerking movements as this may damage the tracking system.

### Care and Maintenance of your Vertical Blind:

- Dust and, when required, simply wipe with a sponge in lukewarm water and a little mild detergent. Dry gently with a clean cloth. There can be significant variations between fabrics so clean a small area first as a test. An art-gum rubber is excellent for removing small marks.