

## What you will need:



Metal Tape



Pencil



Screwdriver (Phillips Head) or Phillips Bit



Electric Drill

## What's supplied with your Venetian Blind:

On Face Bracket



Recess Bracket

Brackets



Drill Bit



Fixings

## Things to note:

- The drill bit and fixings have been supplied based on what was called up at time of order.
- The brackets supplied will be either for a Recess or On Face installation, again this is dependent upon what you chose at time of ordering.
- The number of brackets supplied for each blind will vary depending on the width. Smaller blinds will require 2 brackets, larger blinds 3 or 4.

## Bracket Fixing Options



Top Fix (Recess Fit)

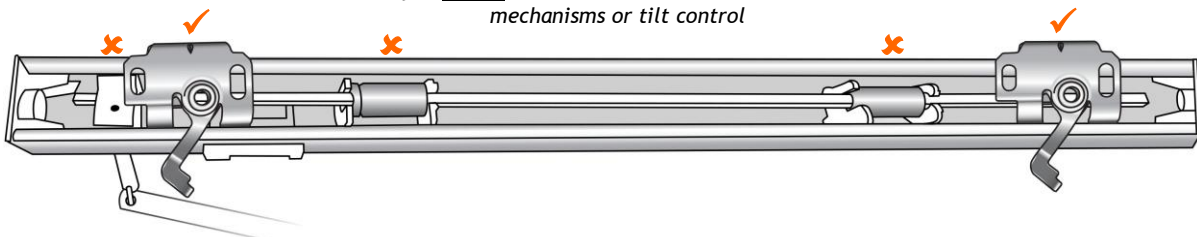


Side Fix (Face Fit)

We recommend fitting 1 fixing screw per bracket.

## Where to install your brackets:

When installing the brackets, please ensure you do not install them over the ladder cord mechanisms or tilt control



- For both Recess and On Face applications install the brackets no further than 100mm in from either side. Additional brackets, (if supplied), are to be installed across the remaining width. It is preferable to install the brackets so they don't interfere with the ladder and control mechanisms.

## Installing inside the window frame (Recess Fit):

- When installing into the window frame ensure that the brackets are positioned so the blind will not hit any window handles or other protrusions when being operated.

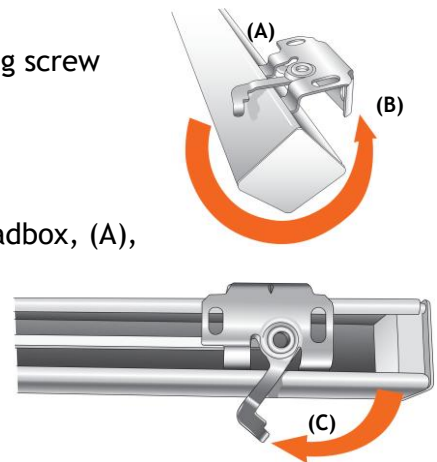
- Brackets should be installed so they are evenly distributed across the width of the blind.
- Using a pencil and the brackets provided position the bracket where you want it to go and mark the inside of the holes with a pencil. Remove the bracket and pre-drill the holes using the drill bit provided. Repeat for the other brackets.
- Fix the brackets securely with the fixings provided. Use 1 fixing screw per bracket.

### Installing outside the window frame (Face Fit)

- Brackets should be installed so they are evenly distributed across the width of the blind.
- Using a pencil and the brackets provided, position the bracket where you want it to go and mark the inside of the holes with a pencil. Remove the bracket and pre-drill the holes using the drill bit provided. Repeat for the other brackets.
- Fix the brackets securely with the fixings provided. Use 1 fixing screw per bracket.

### Installing your Venetian Blind into the brackets:

- Position the blind by first placing the top front edge of the headbox, (A), into the front lugs of the bracket. Once contact has been made rotate the headbox back, then push up to orient it into place, (B). Secure the blind by pushing the front lever, (C), until it sits flush with the headbox. Repeat the process for all brackets.

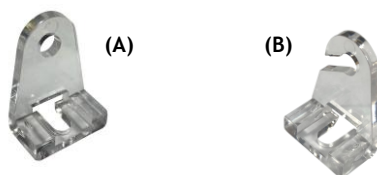


### Installing your Venetian Blind into the brackets:

- Position the blind by first positioning the rear bottom edge of the headbox, (A), into the back of the bracket. Once contact has been made rotate the headbox up, then push back to secure it in the top clips, (B). You may need to apply firm pressure either side of the bracket, (pushing the headbox), to ensure the headbox is properly engaged into the bracket. Repeat the process for all brackets.

### Fitting Hold Down Clips:

- Hold Down Clips can be fitted to the bottom of your blind. Place the clips at the bottom of the window so they line up with the bottom rail edge of the blind. Screw the clips into place with a single screw if fixing into wood or aluminium, or a single screw and wall plug if installing into plaster. Take care not to over tighten the screw.
- The blind can then be clipped into place by first installing the clip with the full circle insert, (A), followed by sliding the other side of the blind into clip, (B). Remove the blind by sliding the blind out of clip, (B), first.



### Operating your Venetian Blind:

- Rotate the wand control to tilt your slats open or closed.
- To raise the blind first tilt the slats so they are in the fully open position. Then pull the cords using a continuous, smooth movement. At the desired height lock the blind by angling the cord appropriately away from the blind.

• **IMPORTANT:** When the blind is raised, securely fasten the cord around the Wand Cleat using a figure 8 motion, (as per the diagram to the right). This ensures the cord is out of the reach of young children. →

- To lower the blind unlock the cord lock by angling the cord towards the centre of the blind. Allow the blind to drop slowly until you reach the desired position.

### Care and Maintenance of your Venetian Blind:

Regularly dust using a clean soft cloth, a feather duster or a vacuum. Slats may be wiped over with warm water and mild detergent.

### If you need to take down your Venetian Blind:

- Fully raise the blind and lock off the cord lock.
- Disengage the bracket lever by pulling it back. A flat head screwdriver or kitchen knife can assist when unlocking the bracket. Repeat for all brackets.



**Still unsure? Call us on  
1300 006 669  
or email  
[sales@buyblindsonline.com.au](mailto:sales@buyblindsonline.com.au)**