

What you will need:



Metal Tape



Pencil

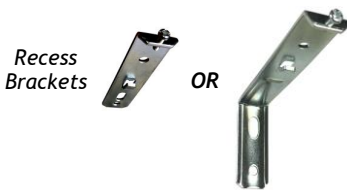


Screwdriver (Phillips Head)
or Phillips Bit



Electric Drill

What's supplied with your Vertical Blind:



Recess
Brackets

OR

On Face
Brackets



Drill Bit



Fixings

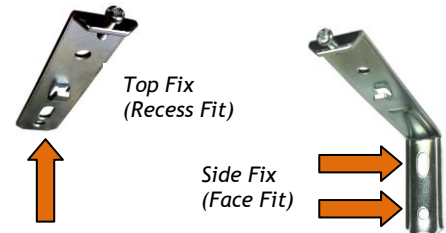


Cord Retainer
(For Cord Control Operation)

Things to note:

- The drill bit and fixings have been supplied based on what was called up at time of order.
- The brackets supplied will be either for a Recess or On Face installation, again this is dependent upon what you chose at time of ordering.
- The number of brackets supplied for each blind will vary depending on the width. Smaller blinds will require 2 brackets, larger blinds 3 or 4.

Bracket Fixing Options



We recommend fitting 1 fixing screw per Top Fix (Recess Fit) bracket and 2 Screws per Side fix (Face Fit) bracket.

Installing inside the window frame (Recess Fit):

- When installing into the window frame ensure that the brackets are positioned so the blind will not hit any window handles or other protrusions when being operated. For Vertical Blinds you will need to consider the rotation of the slats when opening and closing the blind.
- Brackets should be installed no further than 100mm from either end of the track, with the remaining brackets to be evenly distributed across the width of the blind.
- Using a pencil and the brackets provided position the bracket where you want it to go and mark the inside of the holes with a pencil. Remove the bracket and pre-drill the holes using the drill bit provided. Repeat for the other brackets.
- Fix the brackets securely with the fixings provided. Please use one screw per bracket.

**Still unsure? Call us on
1300 006 669
or email**

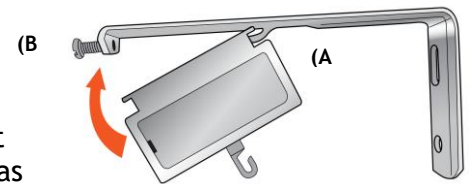
sales@buyblindsonline.com.au

Installing outside the window frame (Face Fit)

- Brackets should be installed no further than 100mm from either end of the track, with the remaining brackets to be evenly distributed across the width of the blind.
- Using a pencil and the brackets provided, position the bracket where you want it to go and mark the inside of the holes with a pencil. Remove the bracket and pre-drill the holes using the drill bit provided. Repeat for the other brackets.
- Fix the brackets securely with the fixings provided. Please use two screws per bracket.

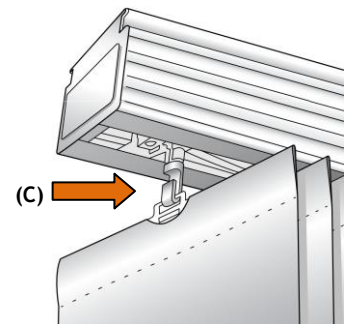
Installing your Vertical Blind Track into the brackets:

- Being mindful of what side you've called up the control side on, position the blind by first positioning the rear top edge of the track, (A), into the back of either the Recess or Face Fix bracket. Once contact has been made, rotate the track up so it sits flush with the bracket and tighten the front screw, (B), so as to secure the track. Repeat for the other brackets.



Installing your Vertical Blind Slats into the track:

- Using the beaded chain or control wand rotate the carriers so the hooks are perpendicular to the track, (C), in the open position. Then use the control cord or drag the control wand to retract the slats so they are bunched together. This will make it easier to hang the slats.
- After you have unpacked and unrolled the fabric slats, hang the slats by hooking the top hanger onto each individual carrier. Repeat for the full set.



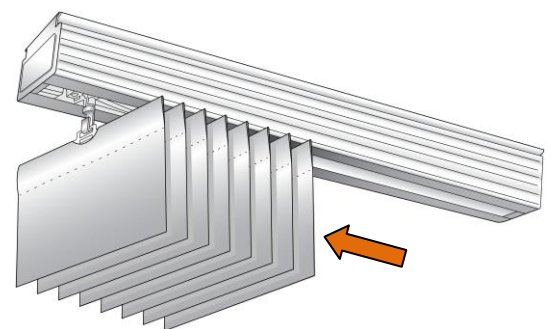
Fitting the Cord Retainer, (does not apply to Wand Control Verticals):

- It is a requirement under Australian Law that the Cord Retainer must be attached to the wall or window frame in order to keep minimal tension on the control chain and to avoid the potential of a choking hazard. Please read the additional information provided when installing the enclosed Cord Retaining device.



Operating your Vertical Blind:

- Using the beaded chain or wand control, always ensure the slats are in the open position before retracting.
- When using the cord or wand controls apply consistent tension to operate. Do not use sharp, jerking movements as this may damage the tracking system.



Care and Maintenance of your Vertical Blind:

Dust and, when required, simply wipe with a sponge in lukewarm water and a little mild detergent. Dry gently with a clean cloth. There can be significant variations between fabrics so clean a small area first as a test. An art-gum rubber is excellent for removing small marks.

IMPORTANT: PLEASE READ BEFORE INSTALLATION

WARNING: Young Children Can Strangle in the Loop of Pull Cords, Chains and Bead cords and Cords that run through Window Coverings. They can also wrap cords around their necks. To avoid strangulation and entanglement, keep cords out of reach of children. Also install safety devices that remove the cord loop or reduces access to cords and move cots and furniture away from window covering cords.

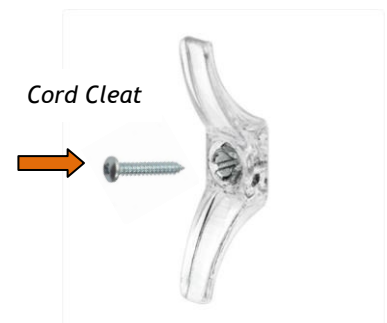


- To avoid creating a possible strangulation hazard for children, the corded internal window covering must be installed so that a loose cord cannot form a loop of 220mm or longer at a height of less than 1600mm above the floor level.
- A cord retainer may be installed lower than 1600mm above the floor level if the cord is sufficiently secured or tensioned to prevent a loop 220mm or longer from being formed.
- The cord retainer reduces the hazard of strangulation or entanglement by limiting access to the cord or bead chain. It must be fixed to the wall immediately below the blind by means of a screw with the cord or cords sitting within the device so a child cannot pull the cord or bead chain around their neck
- If a cord retainer is installed lower than 1600mm above the floor level it must be designed to prevent a child from being able to remove the cord.
 - Fixing to brick - use rawl or wall plug, (5mm drill), and 25mm 6 gauge screw.
 - Fixing to aluminium - use 6 gauge self-drilling screw
 - Fixing to timber - use 20mm 8 gauge self-drilling screw.



Recommendations above are minimum sizes. Longer and heavier gauge screws may be used.

- If a cleat is used to secure the cord it must be at least 1600mm above floor level because a child is capable of unwinding a cord from a cleat.



WARNING: CURTAIN AND BLIND CORDS HAVE CAUSED THE DEATH OF YOUNG CHILDREN AND MUST BE INSTALLED SO THAT THEY ARE NOT A STRANGULATION HAZARD. FOLLOW THE INSTALLATION INSTRUCTIONS.